

Material M材質	Hardness 硬度
INOX1.4034	HRC48°±2°

不銹鋼製造決不生銹, 請放心使用, 同時具有高交換氣流流通的特點。

工作氣壓 / air pressure: 1.5~6BARS

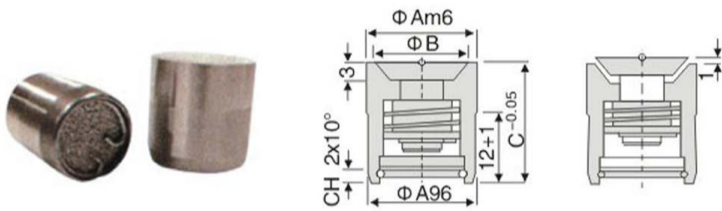
made from stainless steel, never rust and with high air stream exchange currency.

Type	尺寸 / dimension					
	A	B	C	D	E	H
JHN56-01	5	3	12	1.5	4	7
JHN56-02	6	5.2				
JHN56-03	8	6.5				
JHN56-04	10	8				
JHN56-05	12	10	20	2.5	10	12
JHN56-06	16	13		3	12	
JHN56-07	20	17		3.5	16	

2D下載

3D下載

返回索引



Material M材質	Hardness 硬度
INOX1.4034	HRC48°±2°

設計應用在熱塑性模具方面, 通過透氣鋼來保證正確功能的使用。

工作氣壓 / air pressure: 1.5~6BARS

Use in heat plastic mold, and with air spigot to make sure use right.

Type	尺寸 / dimension			
	A	B	C	E
JHN57-01	16	13	20	14
JHN57-02	20	17		18

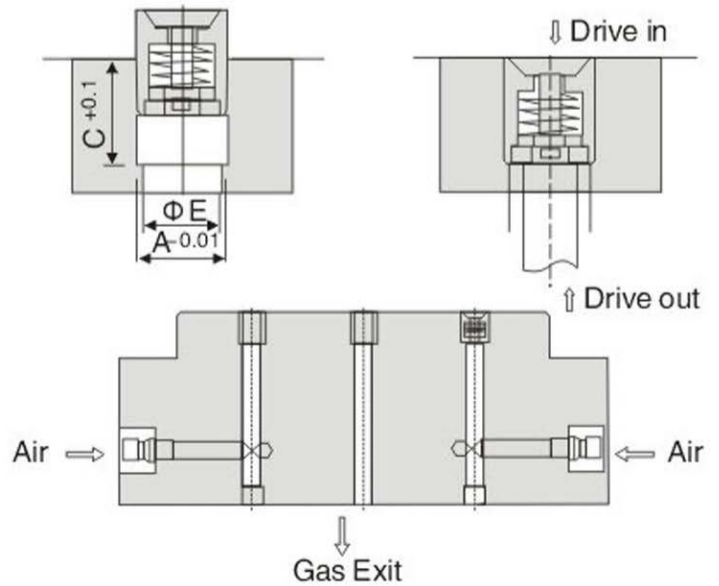
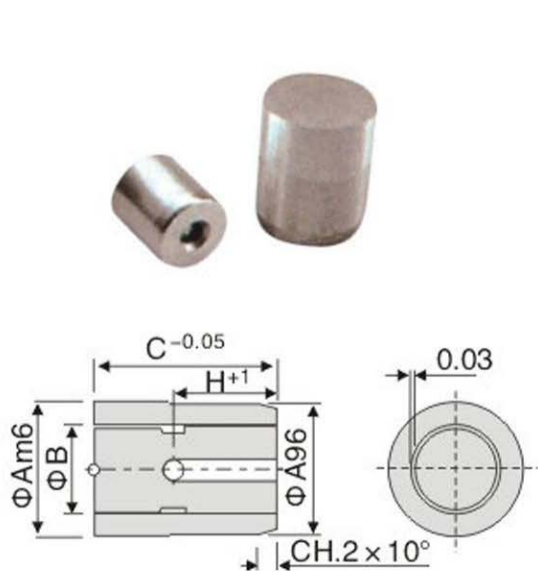
2D下載

3D下載

返回索引

氣閥 Air popet valves

JHN58



返回索引